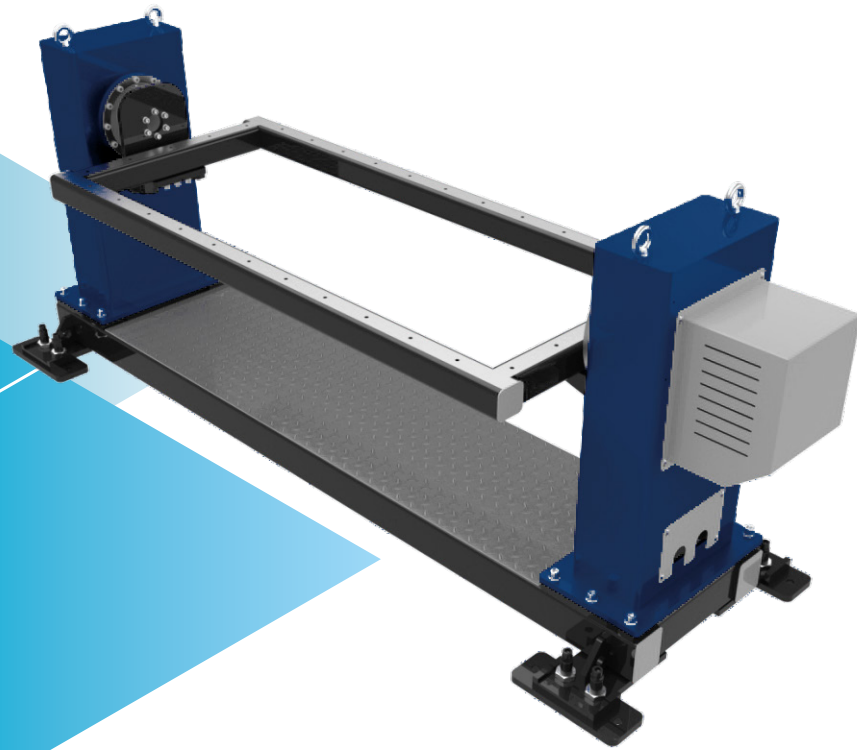


Single Axis Front and Rear Frame Series

[Pictures are for reference only. The final product is subject to the actual product]

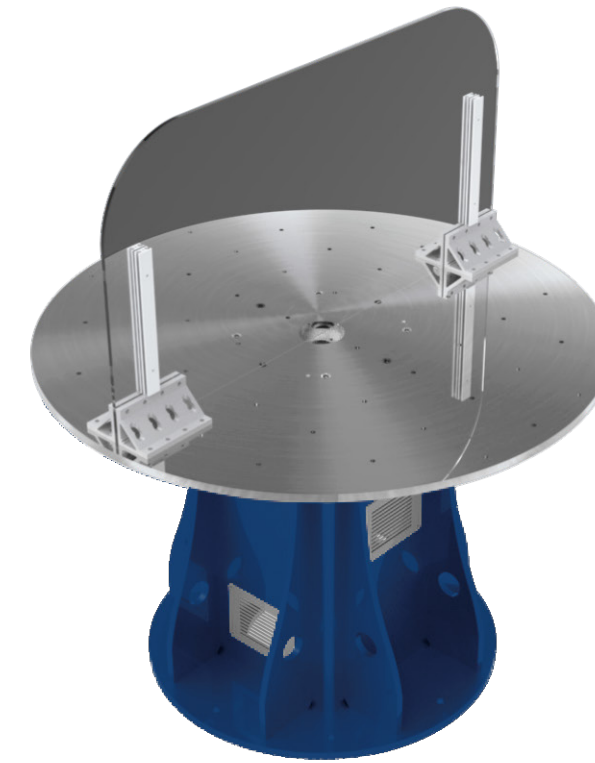


Parameter

Model	Payload (kg)	Height from spindle center to base (mm)	Frame size (mm)	Rotary speed (°/s)	Repeatability (arcmin)	Rotary angle (°)	Eccentricity length (mm)	Gravity distance (mm)	RV reducer	Total reduction ratio	Servo motor power (kw)
CRP-WB1K-250-1880	250	650	1800×800	78	±1.0	±360	≤150	≤300	40E-153	153	1.5
CRP-WB1K-500-1880	500	650	1800×800	78	±1.0	±360	≤150	≤300	80E-153	153	2.0
CRP-WB1K-1000-1880	1000	650	1800×800	74	±1.2	±360	≤100	≤200	110E-161	161	3.0
CRP-WB1K-250-2580	250	650	2500×800	78	±1.0	±360	≤150	≤300	40E-153	153	1.5
CRP-WB1K-500-2580	500	650	2500×800	78	±1.0	±360	≤150	≤300	80E-153	153	2.0
CRP-WB1K-1000-2580	1000	650	2500×800	74	±1.2	±360	≤100	≤200	110E-161	161	3.0
CRP-WB1K-2000-3080	2000	950	3000×800	64.8	±1.2	±360	≤100	≤200	320E-185	185	3.0
CRP-WB1K-3000-3080	3000	950	3000×800	22.63	±1.8	±360	≤80	≤150	320E-185	530.34	4.3

Single Axis Horizontal Rotary Series

[Pictures are for reference only. The final product is subject to the actual product]

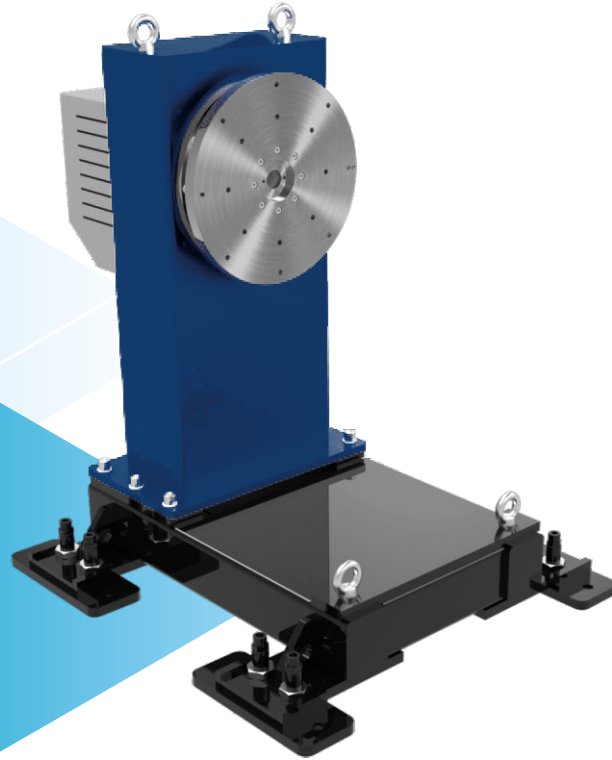


Parameter

Model	Payload (kg)	Dia of circle plate (mm)	Rotary speed (°/s)	Repeatability (arcmin)	Rotary angle (°)	Eccentricity length (mm)	Gravity distance (mm)	RV reducer	Total reduction ratio	Servo motor power (kw)
CRP-WB1S-250-0470	250	400	76.4	±1.0	±360	≤200	≤200	27C-157	157	1.0
CRP-WB1S-500-0470	500	400	67.8	±1.0	±360	≤200	≤200	50C-177	177	2.0
CRP-WB1S-750-0470	750	400	45.3	±1.0	±360	≤200	≤200	100C-264.6	264.6	2.0

Single Axis L-type Series

[Pictures are for reference only. The final product is subject to the actual product]

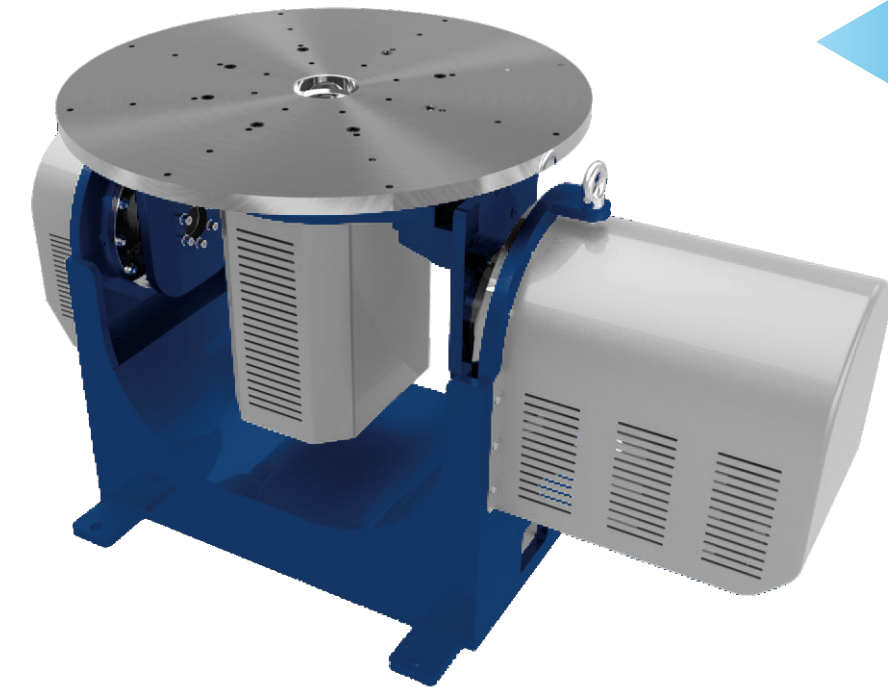


Parameter

Model	Payload (kg)	Dia of circle plate (mm)	Rotary speed (°/s)	Repeatability (arcmin)	Rotary angle (°)	Eccentricity length (mm)	Gravity distance (mm)	RV reducer	Total reduction ratio	Servo motor power (kw)
CRP-WB1L-250-0465	250	400	67.7	±1.0	±360	≤150	≤150	27C-177	177	1.5
CRP-WB1L-500-0495	500	400	45	±1.0	±360	≤150	≤150	100C-264.6	264.6	3.0
CRP-WB1L-1000-0812	1000	800	12.6	±1.8	±360	≤100	≤100	160E-171	951.19	3.0
CRP-WB1L-2000-0812	2000	800	11.66	±1.8	±360	≤100	≤100	320E-185	1029.06	4.3

Two Axis Horizontal Rotary Series

[Pictures are for reference only. The final product is subject to the actual product]

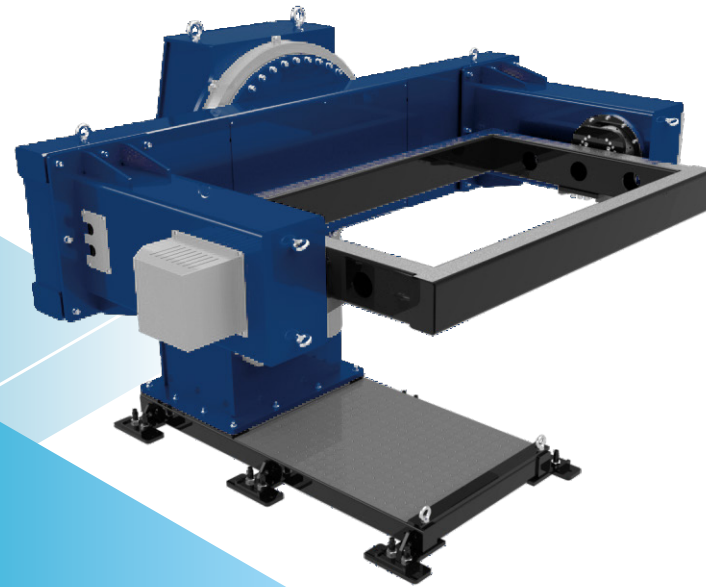


Parameter

Model	Payload (kg)	Dia of circle plate (mm)	Rotary speed (°/s)	Repeatability (arcmin)	Rotary angle (°)	Eccentricity length (mm)	Gravity distance (mm)	RV reducer	Total reduction ratio	Servo motor power (kw)
CRP-WB2S-250-0885	250	800	Flip axis: 78 Rotation axis: 76.4	±1.5	Flip axis: ±90 Rotation axis: ±360	≤100	≤100	Flip axis: 40E-153 Rotation axis: 27C-157	Flip axis: 153 Rotation axis: 157	Flip axis: 2.0 Rotation axis: 1.5
CRP-WB2S-500-0885	500	800	Flip axis: 45 Rotation axis: 67.7	±1.5	Flip axis: ±90 Rotation axis: ±360	≤100	≤100	Flip axis: 100C-264.6 Rotation axis: 50C-177	Flip axis: 264.6 Rotation axis: 177	Flip axis: 3.0 Rotation axis: 2.0

Two Axis C-type Series

[Pictures are for reference only. The final product is subject to the actual product]

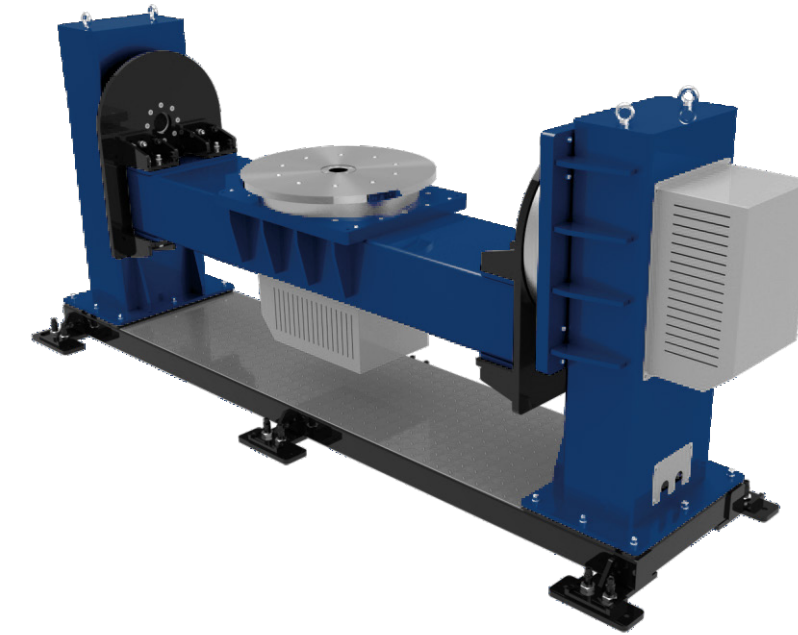


Parameter

Model	Payload (kg)	Frame size (mm)	Rotary speed (°/s)	Repeatability (arcmin)	Rotary angle (°)	Eccentricity length (mm)	Gravity distance (mm)	RV reducer	Total reduction ratio	Servo motor power (kw)
CRP-WB2C-250-1880	250	1800*800	Flip axis: 42.7 Rotation axis: 78	±1.5	Flip axis: ±180 Rotation axis: ±360	≤200	≤100	Flip axis: 200C-281 Rotation axis: 40E-153	Flip axis: 281 Rotation axis: 153	Flip axis: 3.0 Rotation axis: 2.0
CRP-WB2C-500-1880	500	1800*800	Flip axis: 12.5 Rotation axis: 78	±1.5	Flip axis: ±180 Rotation axis: ±360	≤150	≤100	Flip axis: 160E-171 Rotation axis: 80E-153	Flip axis: 951.19 Rotation axis: 153	Flip axis: 3.0 Rotation axis: 2.0
CRP-WB2C-1000-1880	1000	1800*800	Flip axis: 12.5 Rotation axis: 70	±1.5	Flip axis: ±180 Rotation axis: ±360	≤150	≤100	Flip axis: 160E-171 Rotation axis: 160E-171	Flip axis: 951.19 Rotation axis: 171	Flip axis: 3.0 Rotation axis: 2.0
CRP-WB2C-2000-1880	2000	1800*800	Flip axis: 11.66 Rotation axis: 64.86	±2.0	Flip axis: ±180 Rotation axis: ±360	≤150	≤100	Flip axis: 320E-185 Rotation axis: 320E-185	Flip axis: 1029.06 Rotation axis: 185	Flip axis: 4.3 Rotation axis: 3.0

Two Axis U-type Series

[Pictures are for reference only. The final product is subject to the actual product]

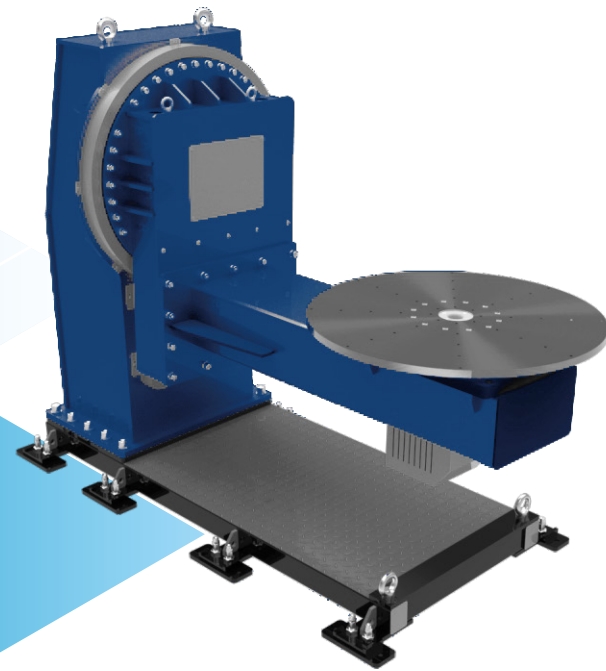


Parameter

Model	Payload (kg)	Dia of circle plate (mm)	Rotary speed (°/s)	Repeatability (arcmin)	Rotary angle (°)	Eccentricity length (mm)	Gravity distance (mm)	RV reducer	Total reduction ratio	Servo motor power (kw)
CRP-WB2U-250-1280	250	1200	Flip axis: 45 Rotation axis: 67.7	±1.0	Flip axis: ±90 Rotation axis: ±360	≤100	≤200	Flip axis: 100C-264.6 Rotation axis: 27C-177	Flip axis: 264.6 Rotation axis: 157	Flip axis: 3.0 Rotation axis: 1.5
CRP-WB2U-500-1280	500	1200	Flip axis: 45 Rotation axis: 67.7	±1.0	Flip axis: ±90 Rotation axis: ±360	≤100	≤200	Flip axis: 100C-264.6 Rotation axis: 50C-177	Flip axis: 264.6 Rotation axis: 157	Flip axis: 3.0 Rotation axis: 2.0
CRP-WB2U-250-1480	250	1400	Flip axis: 45 Rotation axis: 67.7	±1.0	Flip axis: ±90 Rotation axis: ±360	≤100	≤200	Flip axis: 100C-264.6 Rotation axis: 27C-177	Flip axis: 264.6 Rotation axis: 177	Flip axis: 3.0 Rotation axis: 1.5
CRP-WB2U-500-1480	500	1400	Flip axis: 45 Rotation axis: 67.7	±1.0	Flip axis: ±90 Rotation axis: ±360	≤100	≤200	Flip axis: 100C-264.6 Rotation axis: 50C-177	Flip axis: 264.6 Rotation axis: 157	Flip axis: 3.0 Rotation axis: 2.0
CRP-WB2U-1000-1580	1000	1500	Flip axis: 42 Rotation axis: 42	±1.5	Flip axis: ±90 Rotation axis: ±360	≤100	≤200	Flip axis: 200C-281 Rotation axis: 200C-281	Flip axis: 281 Rotation axis: 281	Flip axis: 3.0 Rotation axis: 3.0
CRP-WB2U-1000-1680	1000	1600	Flip axis: 42 Rotation axis: 42	±1.5	Flip axis: ±90 Rotation axis: ±360	≤100	≤200	Flip axis: 200C-281 Rotation axis: 200C-281	Flip axis: 281 Rotation axis: 281	Flip axis: 3.0 Rotation axis: 3.0

Two Axis L-type Series

[Pictures are for reference only. The final product is subject to the actual product]

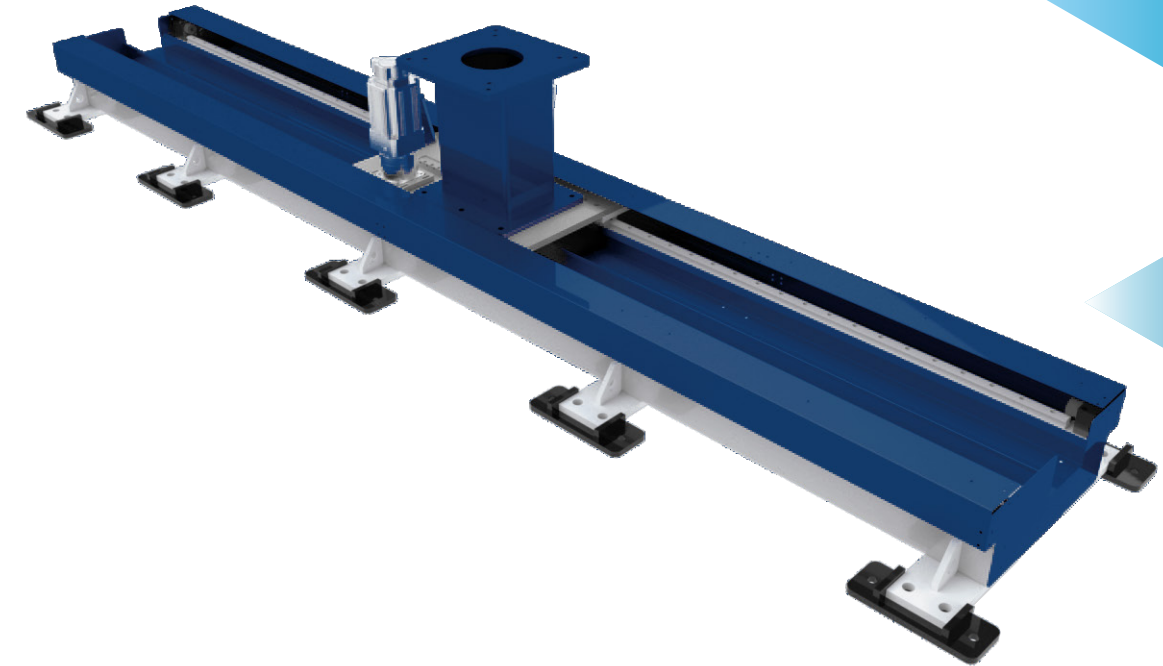


Parameter

Model	Payload (kg)	Dia of circle plate (mm)	Rotary speed (°/s)	Repeatability (arcmin)	Rotary angle (°)	Eccentricity length (mm)	Gravity distance (mm)	RV reducer	Total reduction ratio	Servo motor power (kw)
CRP-WB2L-250-9565-800	250	800	Flip axis: 45.3 Rotation axis: 76.43	±1.5	Flip axis: ±180 Rotation axis: ±360	≤200	≤200	Flip axis: 100C-264.6 Rotation axis: 27C-157	Flip axis: 264.6 Rotation axis: 157	Flip axis: 3.0 Rotation axis: 1.5
CRP-WB2L-500-9565-800	500	800	Flip axis: 42 Rotation axis: 67.8	±1.5	Flip axis: ±180 Rotation axis: ±360	≤250	≤300	Flip axis: 200C-281 Rotation axis: 50C-177	Flip axis: 281 Rotation axis: 177	Flip axis: 3.0 Rotation axis: 2.0
CRP-WB2L-1000-9565-1200	1000	1200	Flip axis: 12.6 Rotation axis: 42.7	±1.8	Flip axis: ±180 Rotation axis: ±360	≤250	≤300	Flip axis: 160E-171 Rotation axis: 200C-281	Flip axis: 1029.06 Rotation axis: 281	Flip axis: 3.0 Rotation axis: 2.0
CRP-WB2L-2000-14095-1200	2000	1200	Flip axis: 11.66 Rotation axis: 24.48	±1.8	Flip axis: ±180 Rotation axis: ±360	≤150	≤200	Flip axis: 320E-185 Rotation axis: 160E-171	Flip axis: 1029.06 Rotation axis: 490.21	Flip axis: 4.3 Rotation axis: 3.0

Walking Track Series (Ground Track)

[Pictures are for reference only. The final product is subject to the actual product]

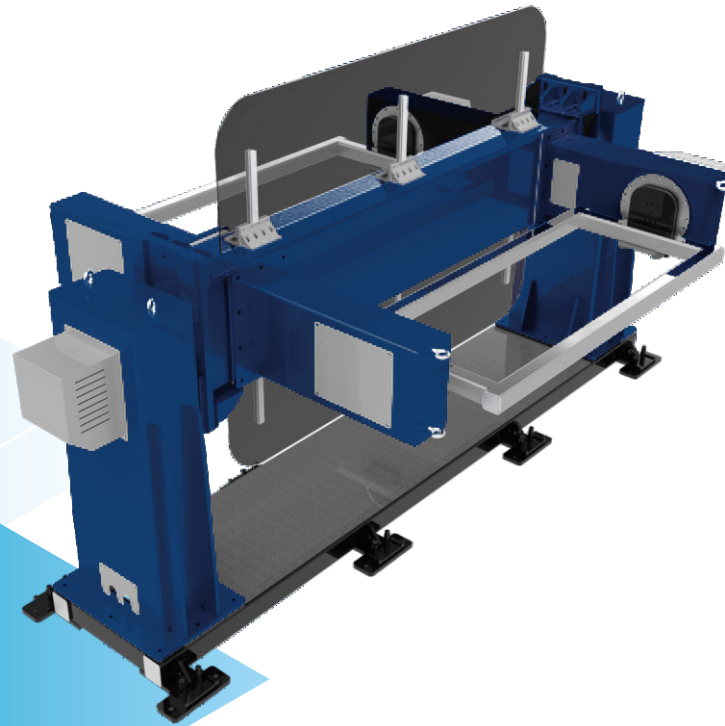


Parameter

Model	Payload (kg)	Effective length(mm)	Maximum speed of moving(mm/s)	Repeatability (mm)	Total reduction ratio	Servo motor power (kw)
CRP-WD500- total length-speed	500	The standard (no piano cover) effective length is 3 meters / total length is 4 meters, including the base. The maximum length of a single section is 6 meters, including installation accessories (common for welding models) Note: When adding the piano cover, the actual effective length = the original effective length * 0.8	800	±0.1	14.2742	1.5
CRP-WD1000- total length-speed	1000	Effective length is 2.5 meters/ total length is 4 meters, including base. The maximum length of a single section is 6 meters, including installation accessories	800	±0.1	13.4070	3.0
CRP-WD2000- total length-speed	2000	Effective length is 2.5 meters/ total length is 4 meters, including base. The maximum length of a single section is 6 meters, including installation accessories	500	±0.15	20.8227	3.0

Three Axis Vertical Series

[Pictures are for reference only. The final product is subject to the actual product]

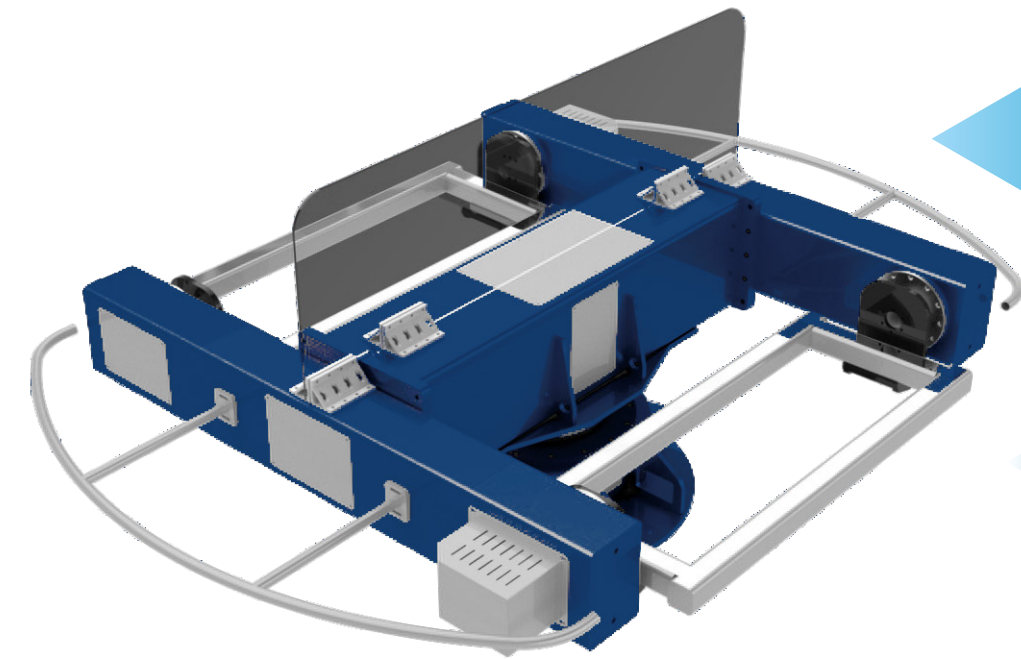


Parameter

Model	Payload (kg)	Frame size (mm)	Rotary speed (°/s)	Repeatability (arcmin)	Rotary angle (°)	Eccentricity length (mm)	Gravity distance (mm)	RV reducer	Total reduction ratio	Servo motor power (kw)
CRP-WB3C-250-1880	250	1800*800	Flip axis: 64 Rotation axis: 78	±1.5	Flip axis: ±180 Rotation axis: ±360	≤100	≤150	Flip axis: 320E-185 Rotation axis: 40E-153	Flip axis: 185 Rotation axis*2: 153	Flip axis: 3.0 Rotation axis*2: 1.5
CRP-WB3C-500-1880	500	1800*800	Flip axis: 64 Rotation axis: 78	±1.5	Flip axis: ±180 Rotation axis: ±360	≤100	≤150	Flip axis: 320E-185 Rotation axis: 80E-153	Flip axis: 185 Rotation axis*2: 153	Flip axis: 3.0 Rotation axis*2: 1.5
CRP-WB3C-1000-1880	1000	1800*800	Flip axis: 22.63 Rotation axis: 70	±1.5	Flip axis: ±180 Rotation axis: ±360	≤100	≤150	Flip axis: 320E-185 Rotation axis: 160E-171	Flip axis: 530.34 Rotation axis*2: 171	Flip axis: 3.0 Rotation axis*2: 3.0
CRP-WB3C-250-2580	250	2500*800	Flip axis: 64 Rotation axis: 78	±1.5	Flip axis: ±180 Rotation axis: ±360	≤100	≤150	Flip axis: 320E-185 Rotation axis: 40E-153	Flip axis: 185 Rotation axis*2: 153	Flip axis: 3.0 Rotation axis*2: 1.5
CRP-WB3C-500-2580	500	2500*800	Flip axis: 64 Rotation axis: 78	±1.5	Flip axis: ±180 Rotation axis: ±360	≤100	≤150	Flip axis: 320E-185 Rotation axis: 80E-153	Flip axis: 185 Rotation axis*2: 153	Flip axis: 3.0 Rotation axis*2: 1.5
CRP-WB3C-1000-2580	1000	2500*800	Flip axis: 22.63 Rotation axis: 70	±1.5	Flip axis: ±180 Rotation axis: ±360	≤100	≤150	Flip axis: 320E-185 Rotation axis: 160E-171	Flip axis: 530.34 Rotation axis*2: 171	Flip axis: 3.0 Rotation axis*2: 3.0

Three Axis Horizontal Frame Type Series

[Pictures are for reference only. The final product is subject to the actual product]



Parameter

Model	Payload (kg)	Frame size (mm)	Rotary speed (°/s)	Repeatability (arcmin)	Rotary angle (°)	Eccentricity length (mm)	Gravity distance (mm)	RV reducer	Total reduction ratio	Servo motor power (kw)
CRP-WB3S-250-1880	250	1800*800	Flip axis: 42 Rotation axis: 78	±1.5	Flip axis: ±180 Rotation axis: ±360	≤100	≤150	Flip axis: 200C-281 Rotation axis: 40E-153	Flip axis: 281 Rotation axis*2: 153	Flip axis: 3.0 Rotation axis*2: 1.5
CRP-WB3S-500-1880	500	1800*800	Flip axis: 24.48 Rotation axis: 78	±1.8	Flip axis: ±180 Rotation axis: ±360	≤100	≤150	Flip axis: 320C-202.36 Rotation axis: 80E-153	Flip axis: 202.36 Rotation axis*2: 153	Flip axis: 4.3 Rotation axis*2: 2.0
CRP-WB3S-1000-1880	1000	1800*800	Flip axis: 11.66 Rotation axis: 74.5	±1.8	Flip axis: ±180 Rotation axis: ±360	≤100	≤150	Flip axis: 320E-185 Rotation axis: 110E-161	Flip axis: 1029.06 Rotation axis*2: 161	Flip axis: 4.3 Rotation axis*2: 3.0
CRP-WB3S-250-2580	250	2500*800	Flip axis: 42 Rotation axis: 78	±1.5	Flip axis: ±180 Rotation axis: ±360	≤100	≤150	Flip axis: 200C-281 Rotation axis: 40E-153	Flip axis: 281 Rotation axis*2: 153	Flip axis: 3.0 Rotation axis*2: 1.5
CRP-WB3S-500-2580	500	2500*800	Flip axis: 24.48 Rotation axis: 78	±1.8	Flip axis: ±180 Rotation axis: ±360	≤100	≤150	Flip axis: 320C-202.36 Rotation axis: 80E-153	Flip axis: 202.36 Rotation axis*2: 153	Flip axis: 4.3 Rotation axis*2: 2.0
CRP-WB3S-1000-2580	1000	2500*800	Flip axis: 11.66 Rotation axis: 74.5	±1.8	Flip axis: ±180 Rotation axis: ±360	≤100	≤150	Flip axis: 320E-185 Rotation axis: 110E-161	Flip axis: 1029.06 Rotation axis*2: 161	Flip axis: 4.3 Rotation axis*2: 3.0